




Important Safety Instructions

 This icon means a potentially hazardous situation which, if not avoided, could result in death or serious injury. Obey the following warnings:

- Read and understand all warnings on this machine.
- Carefully read and understand the Assembly Manual.
- Keep bystanders and children away from the product you are assembling at all times.
- Do not assemble equipment in a wet or damp location.
- Make sure assembly is done in an appropriate work space away from foot traffic and exposure to bystanders.
- Some components of the machine can be heavy or awkward. Use a second person when doing the assembly steps involving these parts. Do not do steps that involve heavy lifting or awkward movements on your own.
- Do not try to change the design or functionality of this machine. This could compromise the safety and can void the warranty.
- If replacement parts are necessary use only genuine Schwinn® replacement parts and hardware supplied by Nautilus. Failure to use genuine replacement parts can cause a risk to users, keep the machine from operating correctly or void the warranty.
- Do not use until the machine has been fully assembled and inspected for correct performance in accordance with the Owner's Manual.
- Read and understand the complete Owner's Manual supplied with this machine before first use. Keep the Owner's Manual for future reference.
- Do all assembly steps in the sequence given. Incorrect assembly can lead to injury.

Nautilus, Inc., (800) NAUTILUS / (800) 628-8458, www.NautilusInc.com - Customer Service: North America (800) 605-3369, customerservice@schwinfitness.com | Europe, Middle East & Africa 49 02203 2020 0, technics-EMEA@nautilus.com | Germany & Austria + 49 02203 2020 0, Switzerland + 41 26 460 77 66, United Kingdom + 44 1908 267 345, Asia Pacific & Latin America (360) 859-5180, technics-APLA@nautilus.com | Patent information: This product may be covered by US and Foreign Patents and Patents Pending. See Product for more information. | Printed in Taiwan | © 2010 Nautilus, Inc., All rights reserved. ™ and ® indicate a trademark or registered trademark. Nautilus, Inc. (www.nautilus.com) trademarks include NAUTILUS®, BOWFLEX®, SCHWINN® and UNIVERSAL® and respective logos. Other trademarks are the property of their respective owners.

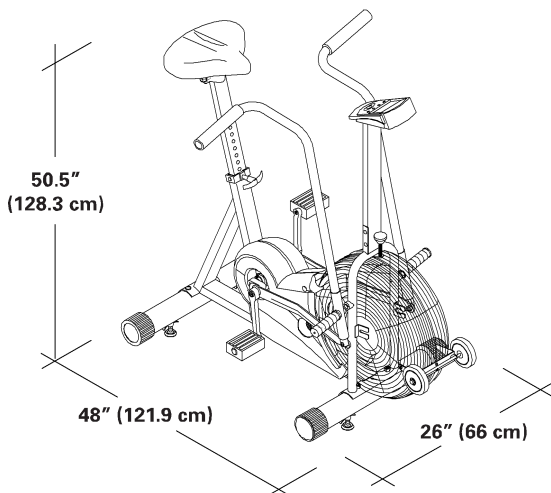
Before Assembly

Select the area where you are going to set up and operate your machine. For safe operation, the location must be on a hard, level surface. Allow a workout area of minimum 65.4" x 87.4" (166 cm x 222 cm).

Follow these basic points when you assemble your machine:

1. Read and understand the "Important Safety Instructions" before assembly.
2. Collect all the pieces necessary for each assembly step.
3. Using the recommended wrenches, turn the bolts and nuts to the right (clockwise) to tighten, and the left (counterclockwise) to loosen, unless instructed otherwise.
4. When attaching 2 pieces, lightly lift and look through the bolt holes to help insert the bolt through the holes.
5. The assembly requires 2 people.

Specifications and Tools



Not Included



5/16"
15mm



(recommended)

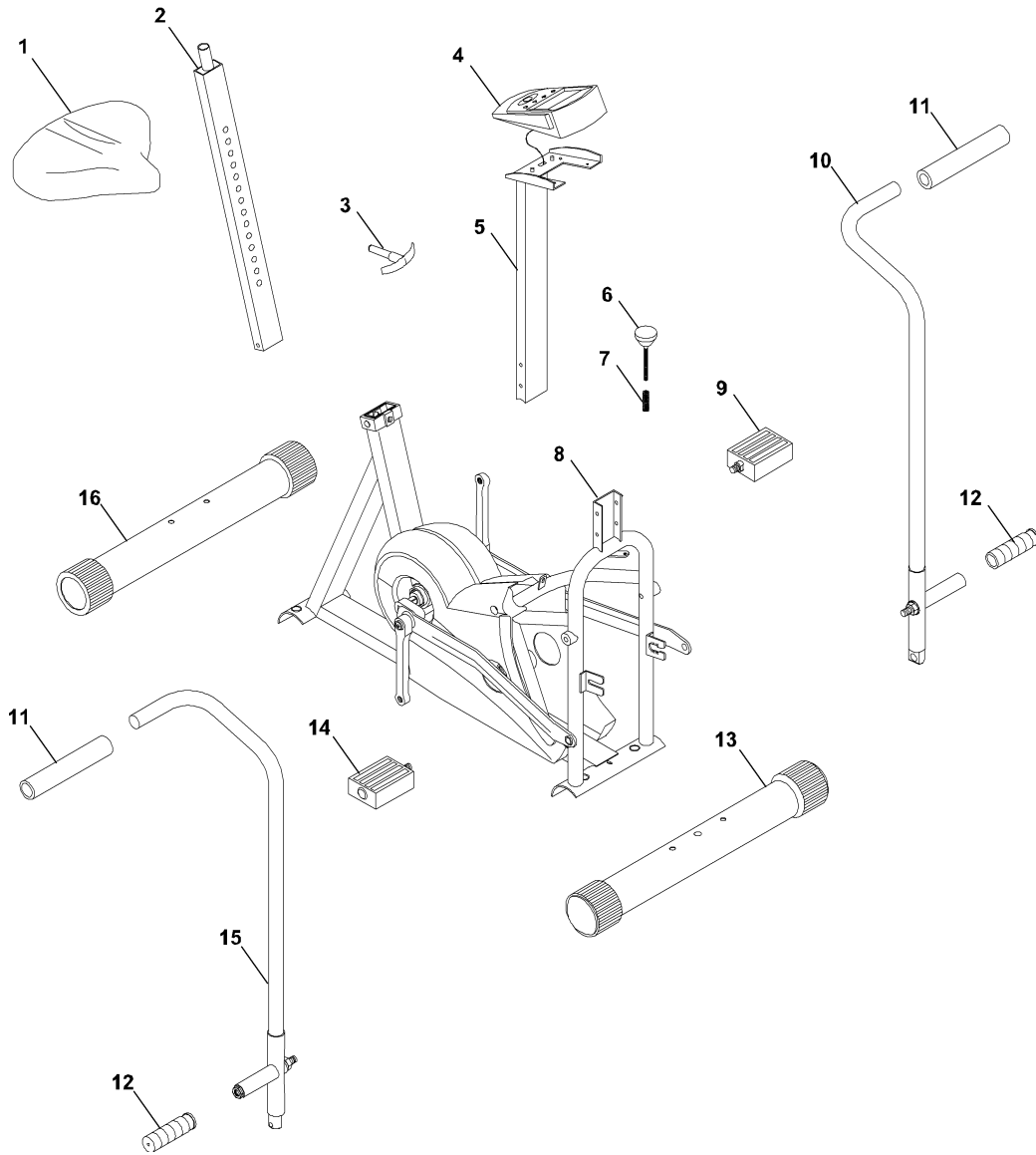


#2



(recommended)

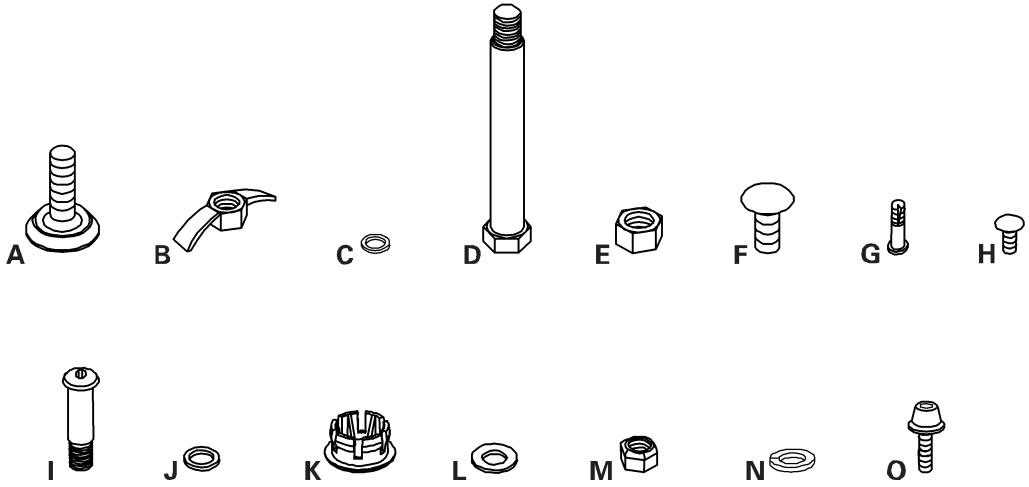
Parts



* Fan Assembly removed for clarity.

Item	Qty	Description	Item	Qty	Description
1	1	Seat	9	1	Pedal, Left
2	1	Seat Post	10	1	Arm, Left
3	1	Locking Knob (Seat)	11	2	Hand Grip
4	1	Console	12	2	Foot Rest Cover
5	1	Console Mast	13	1	Stabilizer, Front
6	1	Locking Knob (Wheel)	14	1	Pedal, Right
7	1	Spring, Locking Knob	15	1	Arm, Right
8	1	Frame Assembly (includes Fan Assembly)	16	1	Stabilizer, Rear

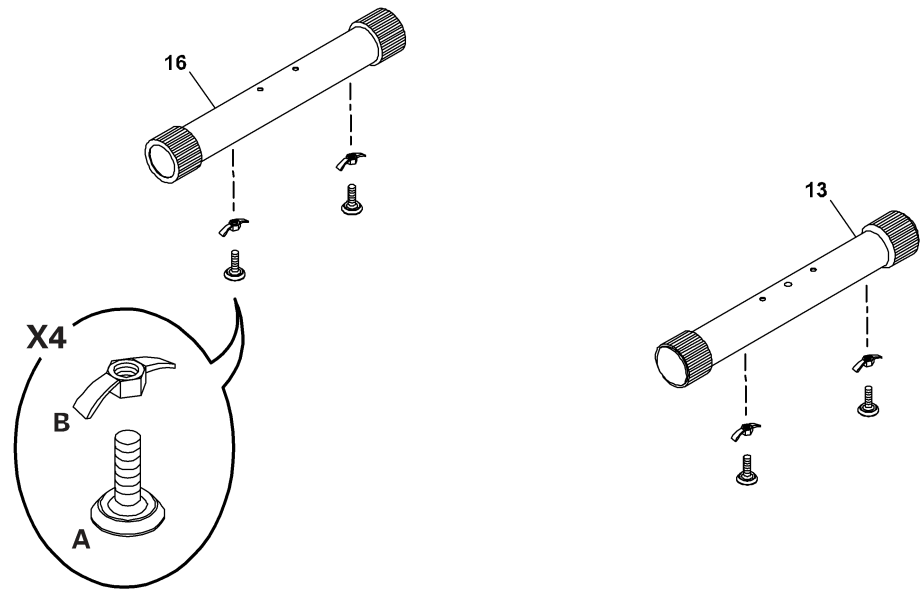
Hardware



Item	Qty	Description	Item	Qty	Description
A	4	Leveler, 3/8-16UNCx29	I	2	Button Head Hex Bolt, M8x1.25x41L
B	4	Lock Nut	J	4	Spacer, D10.5x15.5xT2.5
C	2	Washer	K	2	End Plug
D	2	Hex Head Bolt, 3/8-16UNC-88mm	L	2	Washer, M8
E	2	Nut, 3/8-16UNC	M	2	Nut, M8x1.25 Nylon
F	2	Carriage Bolt, 3/8-16UNC-18	N	2	Lock Washer, 3/8"
G	2	Phillips Head Screw	O	2	Button Head Hex Screw, M5x0.8x16
H	4	Button Head Hex Screw, M6x1.0x12mm			

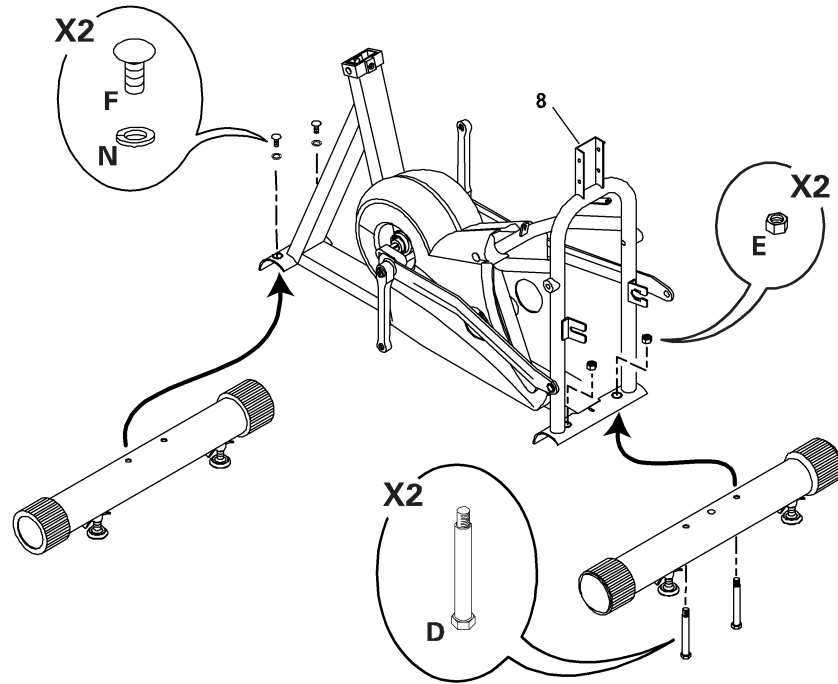
Assembly

1. Attach Levelers to Stabilizers



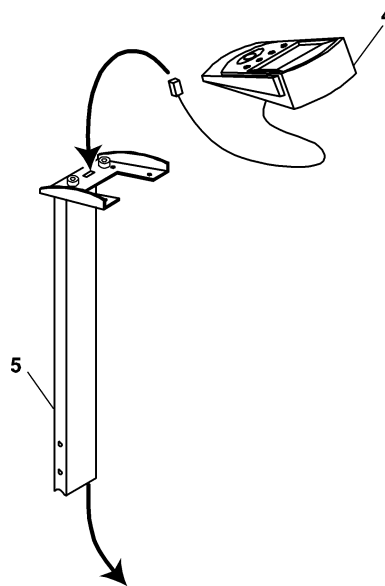
2. Attach Stabilizers to Frame Assembly

Note: Fan Assembly has been removed for clarity.



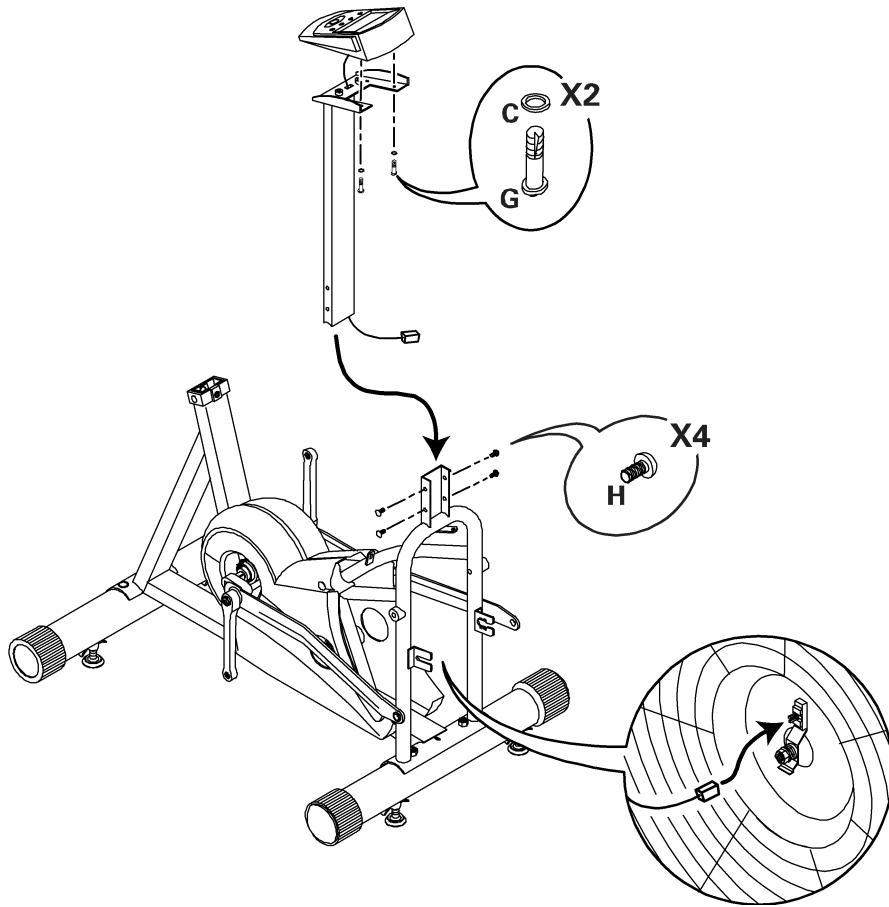
3. Run Console Cable through the Console Mast

Note: Do not crimp the Console Cable.

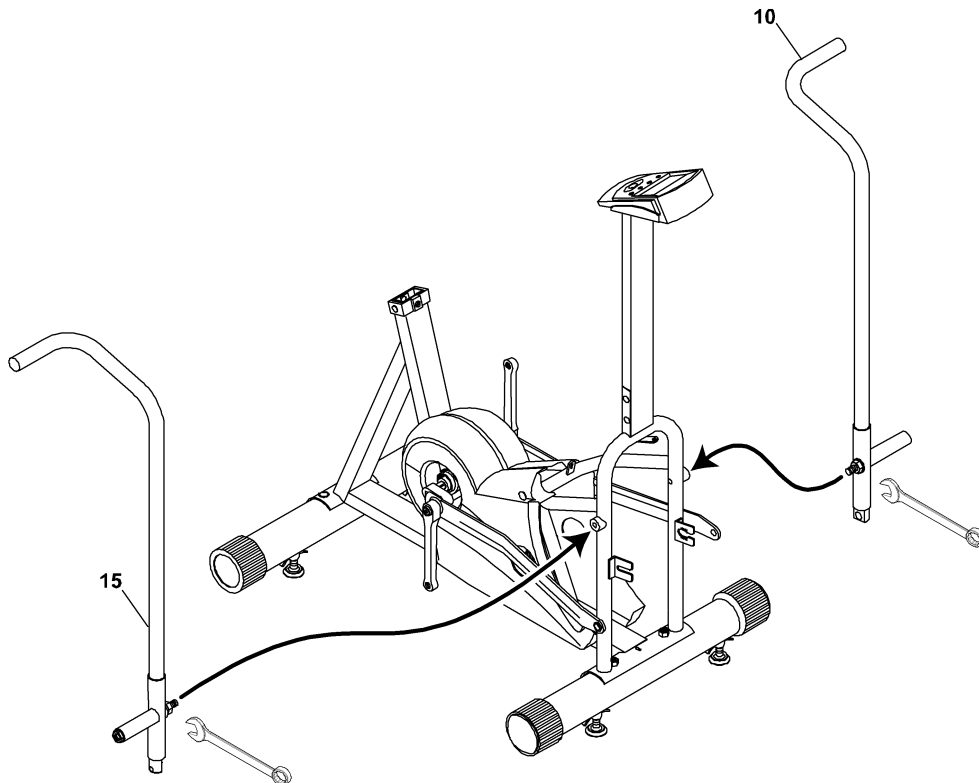


4. Attach Console and Console Mast to Frame Assembly

Note: Do not crimp the Console Cable. Connect the Console Cable to the fan sensor on the right side of the Fan Assembly. Place all excess cable in the Console Mast.

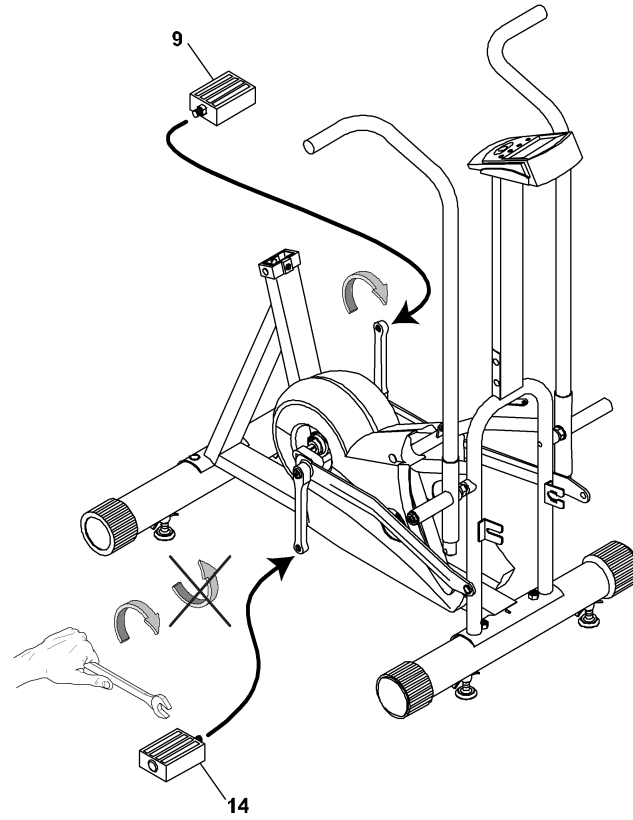


5. Attach Right and Left Arms to Frame Assembly

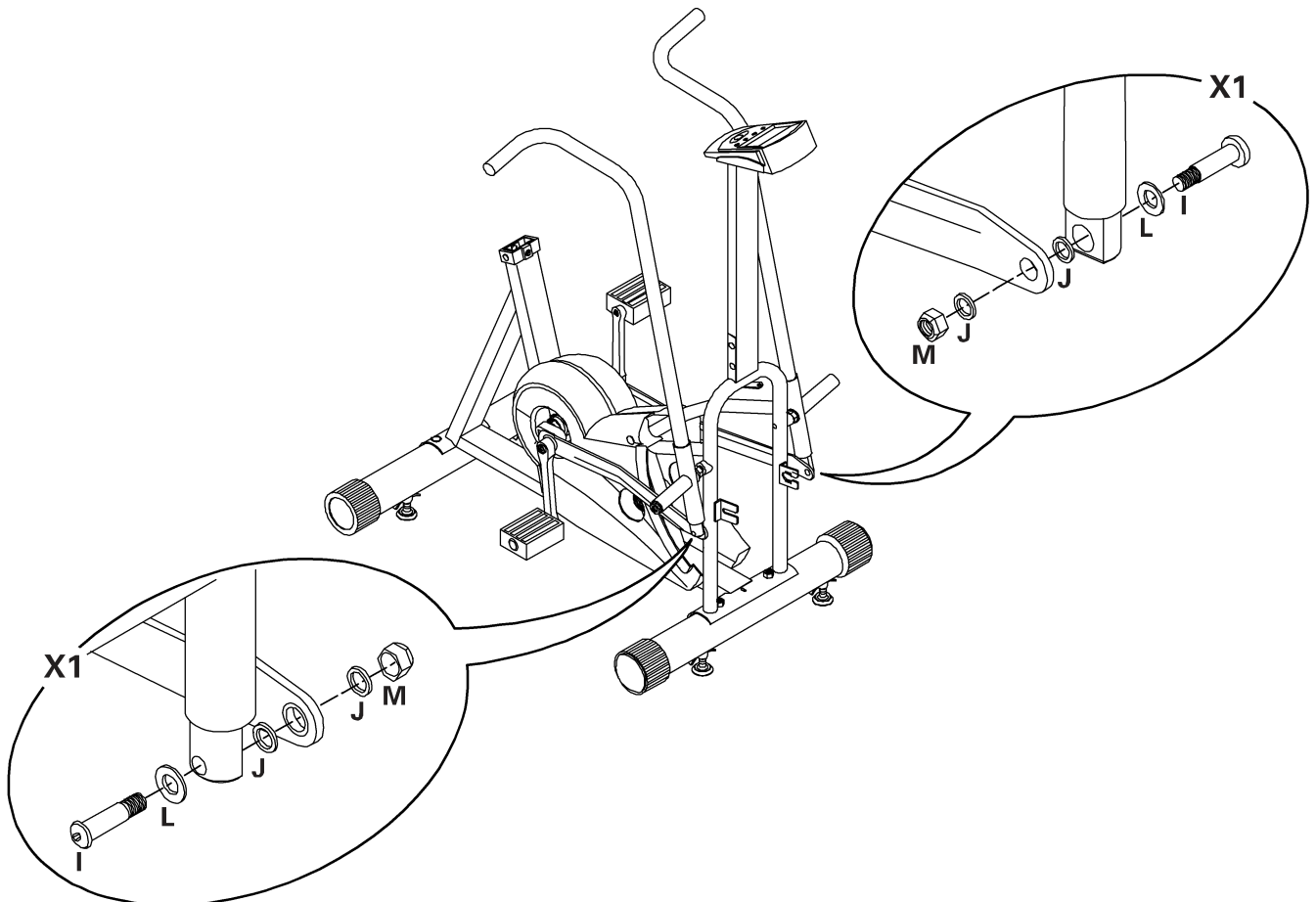


6. Attach Pedals to Frame Assembly

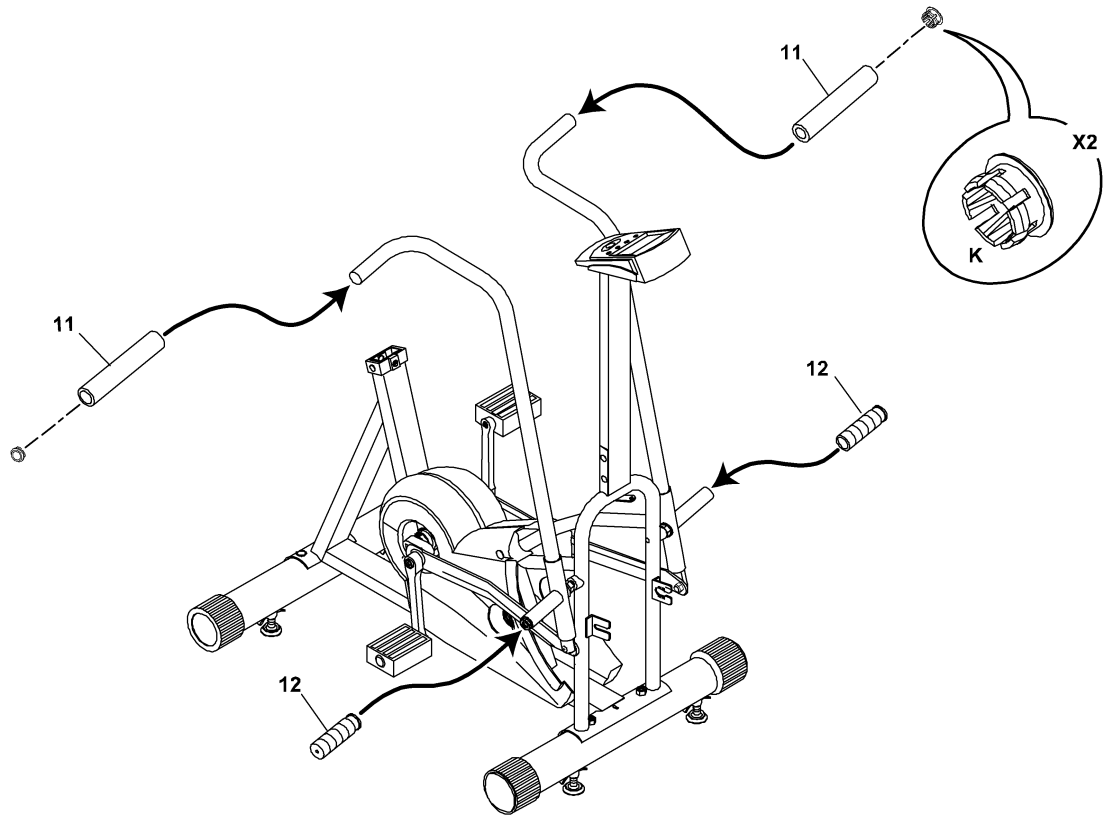
Note: Be sure to attach Pedals on the proper side of the Bike. Orientation is based from a seated position on the bike. The Left Pedal has an "L", the Right Pedal an "R".



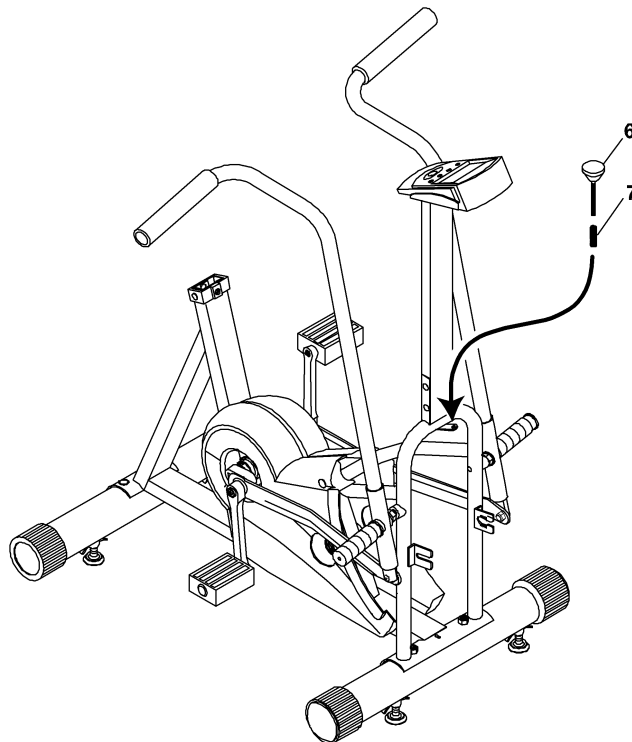
7. Connect Arms to the Lever Arms



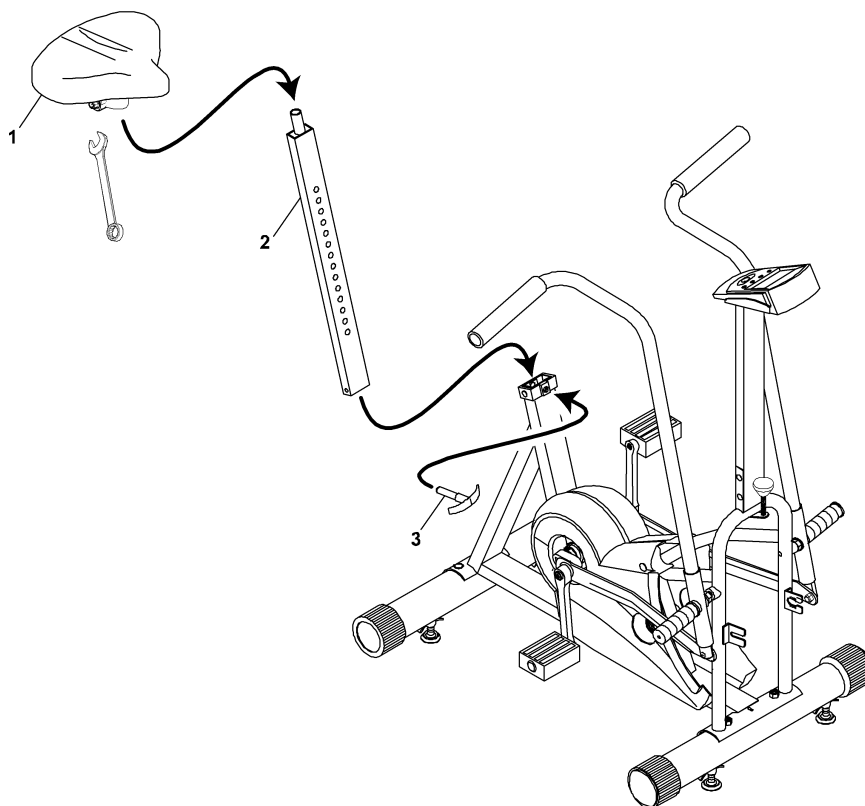
8. Attach Foot Rest Covers and Hand Grips



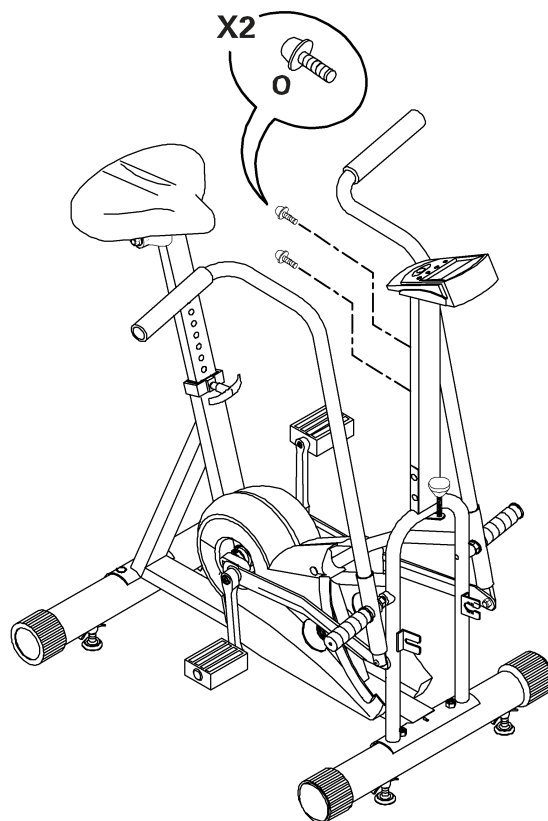
9. Attach Wheel Locking Knob and Spring Guide



10. Attach Seat to Seat Post, insert and secure with Seat Locking Knob




11. Attach Water Bottle Holder Screws to Console Mast



Final Inspection

Inspect your machine to ensure that all fasteners are tight and components are properly assembled.

 Do not use until the machine has been fully assembled and inspected for correct performance in accordance with the Owner's Manual.