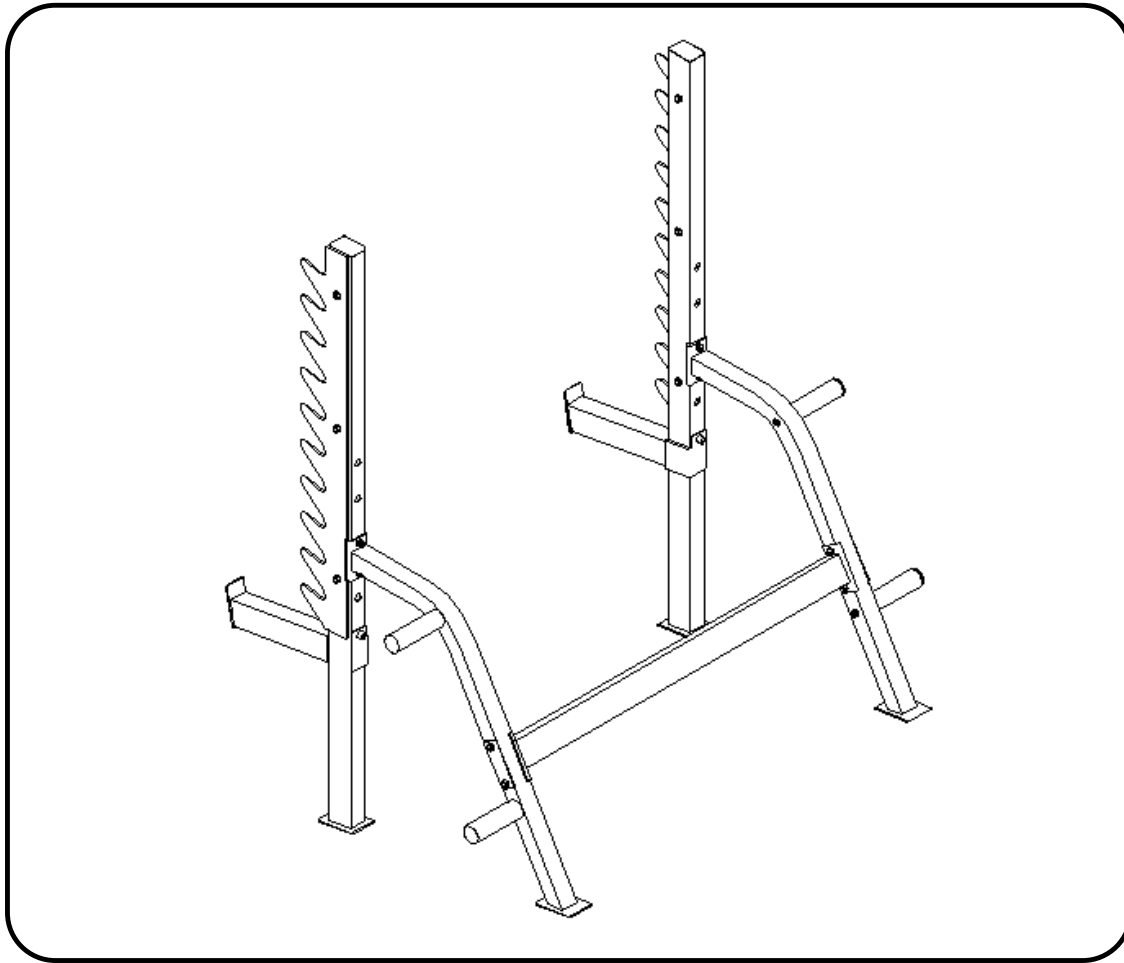


**POWER** **LIFETIME KEYS WARRANTY** **SYSTEM**



**KPS-SS**  
**SQUAT STAND**



Questions?  
Call our toll free Keys Fitness Helpline  
**1-800-683-1236**

**keysfitness.com**

O W N E R ' S M A N U A L



**THANK YOU** for making this Power System unit a part of your exercise program. Keys Fitness and our Power System Series assures the very best in value, appearance, durability and biomechanics.

This manual will guide you through the assembly process. If at any time you are having trouble with the assembly or use of this product, then please contact us at our Keys Fitness Helpline. We have trained service technicians on site to take care of you, our valued customer.

---

### **REGISTRATION CARD**

To avoid unnecessary delays in warranty parts and to insure that a permanent record of your purchase is on file with our company, be sure to send in the warranty registration card or register on-line at [www.keysfitness.com](http://www.keysfitness.com) within 10 days of purchase.

---

### **POWER SYSTEM SERIES**

**MODEL: KPS-SS**

**QUESTIONS?**

**CALL**

**1-800-683-1236**

**Monday-Friday**

**8:30-5:30 Central Time**

***When calling please have the following product information available:***

- Product Series
- Model #
- Part Number
- Part Description

## **BEFORE YOU START**

Prior to assembly, remove components from the box and verify that all the listed parts were supplied.

## **SAFETY INFORMATION WARNING!**

Before using this unit or starting any exercise program, consult your physician. This is especially important for persons over the age of 35 and/or persons with pre-existing health problems. Keys Fitness Products LP assumes no responsibility for personal injury or property damage sustained by or through the use of this product.

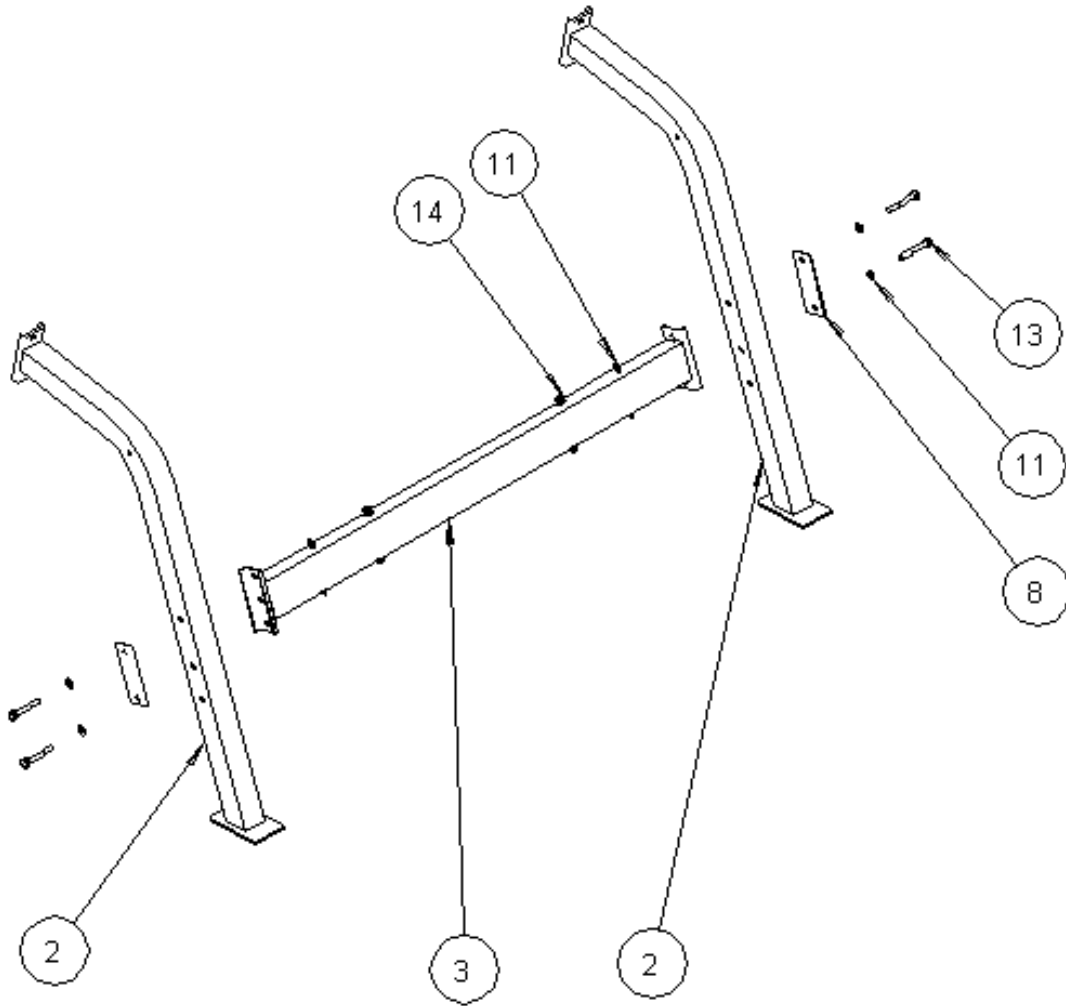
It is the owner's responsibility to ensure that all users of this unit have read the Owner's Manual and are familiar with safety information and precautions.

## **SAFETY PRECATIONS**

- This Power System unit should only be used on a level surface and is intended for indoor use only. Keys Fitness recommends an equipment mat be placed under the unit to protect the floor or carpet and for easier cleaning.
- Wear comfortable, good-quality walking or running shoes and appropriate clothing. Do not use this unit with bare feet, sandals, socks or stockings!
- Always examine your unit before using to ensure all parts are in working order.
- Do not leave children unsupervised near or on the unit.
- Service to your Power System unit should only be performed by an authorized service representative, unless authorized and/or instructed by a Keys Fitness technician. Failure to follow these instructions will void the warranty.

# ASSEMBLY

**NOTE:** Hand tighten bolts and nylon nuts until machine is fully assembled.

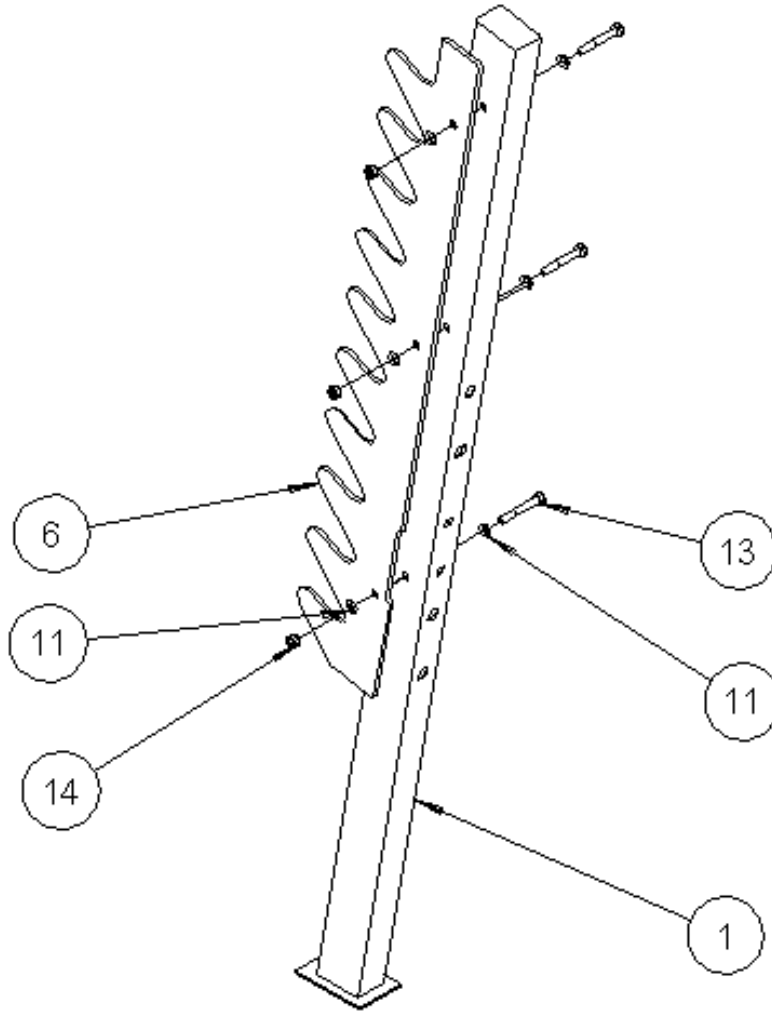


## STEP 1

Connect Cross Frame (3) to Rear Supports (2) with Bolts (13), Washers (28), Plates (8) and Nylon Nuts (14).

# ASSEMBLY

**NOTE:** Hand tighten bolts and nylon nuts until machine is fully assembled.

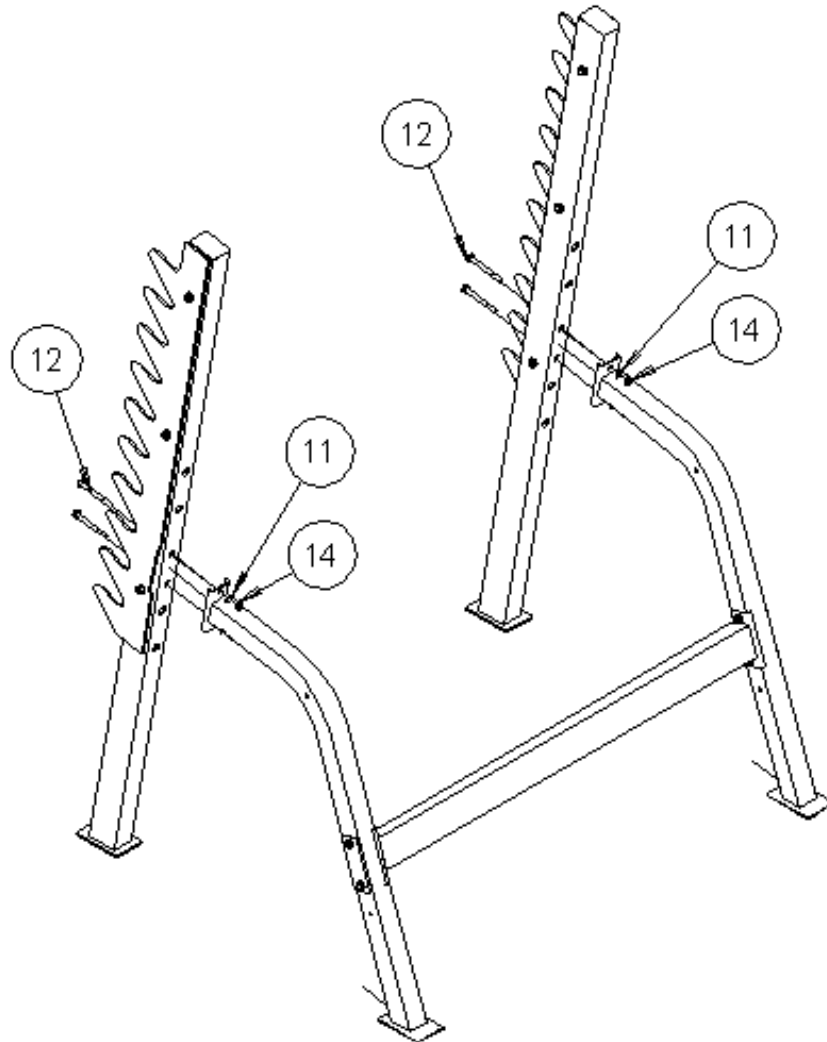


## STEP 2

Connect Bar Rack (6) to both Upright Frames (1) with Bolts (13), Washers (11) and Nylon Nuts (14).

# ASSEMBLY

**NOTE:** Hand tighten bolts and nylon nuts until machine is fully assembled.

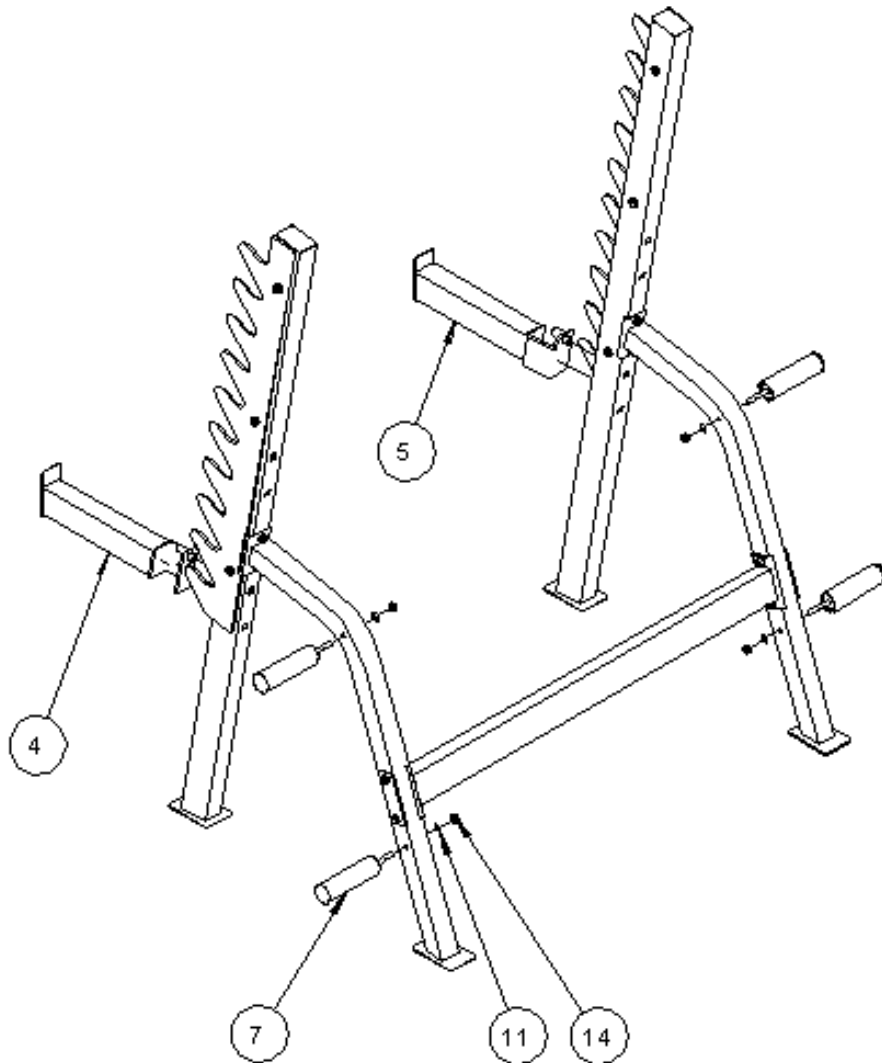


## STEP 3

Secure Main Uprights to each Rear Support Frame with Carriage Bolts (12), Washers (11) and Nylon Nuts (14).

# ASSEMBLY

**NOTE:** Hand tighten bolts and nylon nuts until machine is fully assembled.



## STEP 4

Attach Right and Left Safety Bars (4,5) to each Upright Frame.

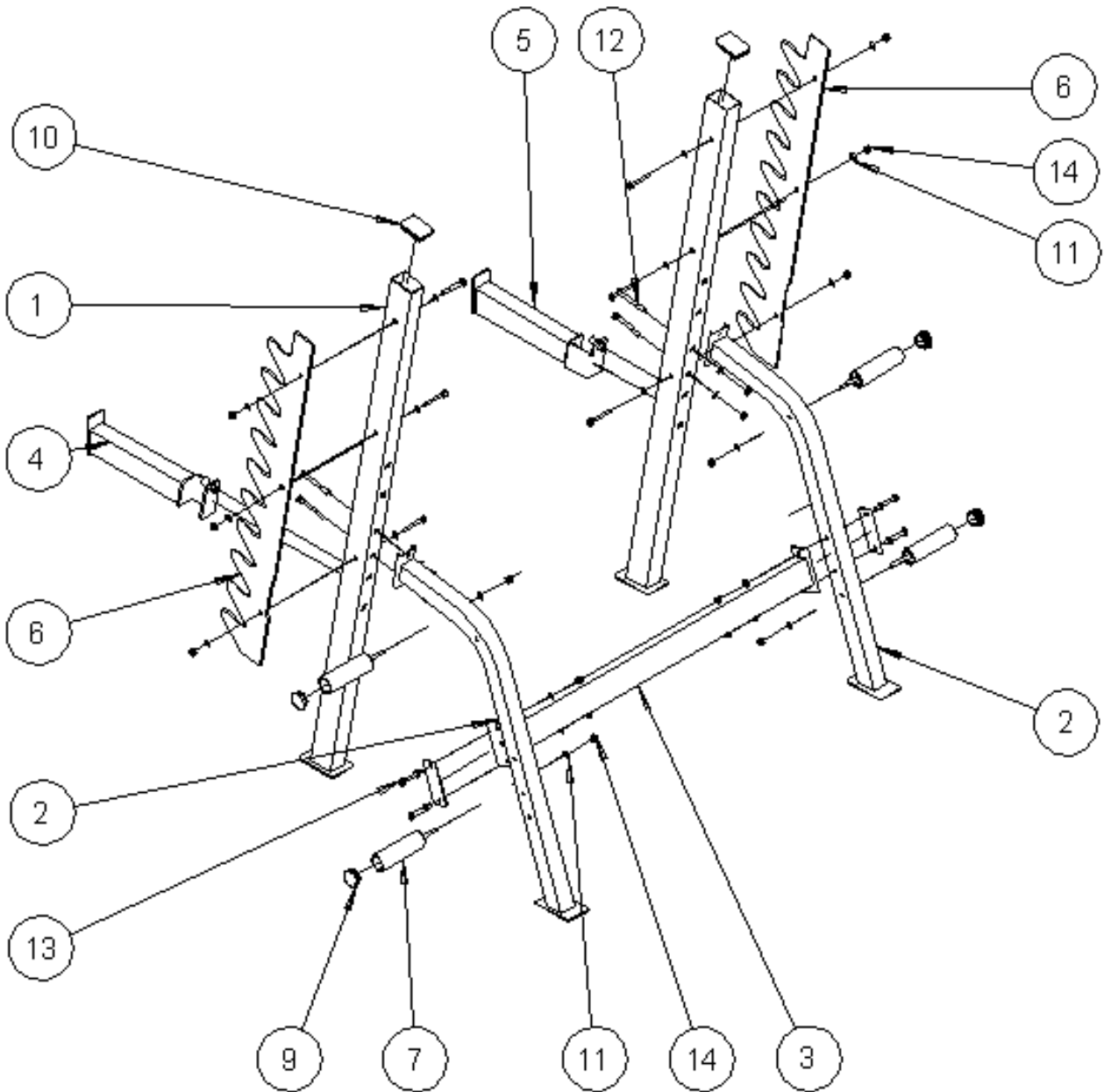
Connect Weight Storage Posts (7) to Rear Support Frames with Washers (11) and Nylon Nuts (14).

## **PARTS LIST**

<b>#</b>	<b><u>DESCRIPTION</u></b>	<b><u>QTY</u></b>
1	Upright Frame	2
2	Rear Support Frame	2
3	Cross Frame	1
4	Right Safety Bar	1
5	Left Safety Bar	1
6	Bar Rack	2
7	Weight Storage Post	4
8	Plate	2
9	Plug - 48	4
10	Plug - 76.2x50.8	2
11	Washer - 10	28
12	Carriage Bolt M10x95	4
13	Bolt M10x70	10
14	Nylon Nut M10	18



# EXPLODED VIEW



# KEYS FITNESS PRODUCTS, L.P. POWER SYSTEM SERIES LIFETIME WARRANTY



This Warranty applies in the United States and Canada to products manufactured or distributed by Keys Fitness Products, LP (“Keys”) under the KEYS brand name. The warranty period to the original purchaser is lifetime of the original purchaser.

Keys warrants that the Product you have purchased for non-commercial, personal, family, or household use from Keys or from an authorized Keys reseller is free from defects in materials or workmanship under normal use during the warranty period. Your sales receipt, showing the date of purchase of the Product, is your proof of purchase. This warranty only extends to you, the original purchaser. It is not transferable to anyone who subsequently purchases the Product from you.

It excludes expendable parts (wear items). Wear items pertain to components that might need to be replaced due to normal wear and tear. These items vary per product but will include grips, chains, cables, pads, upholstery, pulleys, bearings, etc. Please contact a Keys customer service representative for specifics on wear items. This Warranty becomes VALID ONLY if the product is purchased through a Keys Fitness authorized dealer unless otherwise authorized by Keys Fitness in writing and must be assembled / installed according to the instructions included with the Product.

During the warranty period Keys will repair or replace (at Keys' option) the product if it becomes defective, malfunctions, or otherwise fails to conform with this Warranty under normal use. In repairing the Product, Keys may replace defective parts, or at the option of Keys, serviceable used parts that are equivalent to new parts in performance. All exchanged parts and Products replaced under this warranty will become the property of Keys. Keys reserves the right to change manufacturers of any part to cover any existing warranty.

This warranty DOES NOT COVER shipping charges, export taxes, custom duties and taxes, or any other charges associated with transportation of the parts or Product. To obtain warranty service, you must contact a Keys authorized retailer, service technician or Keys Fitness at our phone number located in this manual. Any parts determined to be defective must be returned to Keys to obtain warranty service. You must prepay any shipping charges, export taxes, custom duties and taxes, or any other charges associated with transportation of the parts or Product. In addition, you are responsible for insuring any parts or Product shipped or returned. You assume the risk of loss during shipment. You must present Keys with proof-of-purchase documents (including the date of purchase). Any evidence of alteration, erasing or forgery of proof-of-purchase documents will be cause to void this Warranty.

This Warranty does not extend to any product not purchased from Keys or from an authorized Keys reseller. This Limited Warranty does not extend to any Product that has been damaged or rendered defective; (a) as a result of accident, misuse, or abuse; (b) by the use of parts not manufactured or sold by Keys; (c) by modification of the Product or normal wear and tear; (d) operation on incorrect power supplies; or (e) as a result of service by anyone other than Keys, or an authorized Keys warranty service provider. Product on which the serial number has been defaced or removed is not eligible for warranty service. Should any Product submitted for warranty service be found ineligible, an estimate of repair cost will be furnished and the repair will be made if requested by you upon Keys' receipt of payment or acceptable arrangements for payment.

EXCEPT AS EXPRESSLY SET FORTH IN THIS WARRANTY, KEYS MAKES NO OTHER WARRANTIES, EXPRESSED OR IMPLIED, INCLUDING ANY IMPLIED WARRANTIES OF MERCHANTABILITY AND FITNESS FOR A PARTICULAR PURPOSE. KEYS EXPRESSLY DISCLAIMS ALL WARRANTIES NOT STATED IN THIS LIMITED WARRANTY. ANY IMPLIED WARRANTIES THAT MAY BE IMPOSED BY LAW ARE LIMITED TO THE TERMS OF THIS LIMITED WARRANTY. NEITHER KEYS NOR ANY OF ITS AFFILIATES SHALL BE RESPONSIBLE FOR INCIDENTAL OR CONSEQUENTIAL DAMAGES. SOME STATES DO NOT ALLOW LIMITATIONS ON HOW LONG AN IMPLIED WARRANTY LASTS OR THE EXCLUSION OR LIMITATION OF INCIDENTAL OR CONSEQUENTIAL DAMAGES, SO THE ABOVE LIMITATIONS OR EXCLUSION MAY NOT APPLY TO YOU. This Limited Warranty gives you specific legal rights and you may also have other rights that may vary from state to state. This is the only express warranty applicable to Keys-branded products. Keys neither assumes nor authorizes anyone to assume for it any other express warranty.

PLEASE SEND IN THE INCLUDED WARRANTY CARD OR REGISTER ON-LINE AT [www.keysfitness.com](http://www.keysfitness.com) WITHIN TEN (10) DAYS OF PURCHASE TO REGISTER YOUR UNIT WITH KEYS FITNESS PRODUCTS, LP. MAIL WARRANTY CARD TO: KEYS FITNESS PRODUCTS, PO BOX 551239, DALLAS, TX 75355





**Keys Fitness Products, L.P.**  
**4009 Distribution Drive, Suite 250**  
**Garland, Texas 75041**  
**Customer Service: 1-800-683-1236**

